



## QUAD® Q145 SHREDDER

SSI's Quad® Q145 is a low-speed, high-torque, four-shaft, rotary shear shredder designed to produce a small, consistent particle size.

### Q145 QUAD® SHREDDERS PROCESS MATERIALS INCLUDING:

- Mixed & Organic Waste
- Carpet
- Passenger & Truck Tires
- Wood/Pallets
- Paper/Cardboard
- Hazardous Waste
- Steel Drums
- Baled & Bulky Materials
- Auto-Fluff
- Electronic Scrap (Commercial Grade)
- Demolition Waste
- Fibers/Textiles/Foam
- Metals and more...

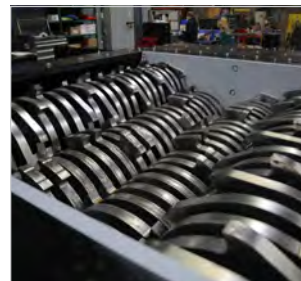
### ELECTRIC OR HYDRAULIC DRIVE

#### Hydraulic Drive When Processing:

- Mixed or unsorted materials
- Materials requiring enhanced particle size or throughput control
- Batch fed materials
- Materials containing non-shreddables

#### Electric Drive When Processing:

- Sorted, uniform materials
- Conveyor fed or metered materials
- Materials containing limited non-shreddables



## SSI ADVANTAGES

### HIGH-TORQUE, LOW-SPEED DESIGN

Delivers multipurpose shredding with greater on-line reliability and lower maintenance requirements than other technologies.

### PATENTED ACLS - ADVANCED CUTTER LOCKING SYSTEM™

Eliminates daily requirement to tighten cutter stack while improving shredder performance and cutter life.

### SHOCK LOAD PROTECTION FEATURE

Protects shredder and drive components. Electric version offers patented SSP - Severe Shock Protection™ controlled torque coupling. Hydraulic version utilizes multiple relief valves.

### AUTO REVERSAL FEATURE

Protects against overfeeding and damage by non-shreddables.

### CONVERTIBLE DRIVE

Versatile design accommodates electric or hydraulic drive. Optional conversion package available.

### PROPRIETARY BEARING PROTECTION

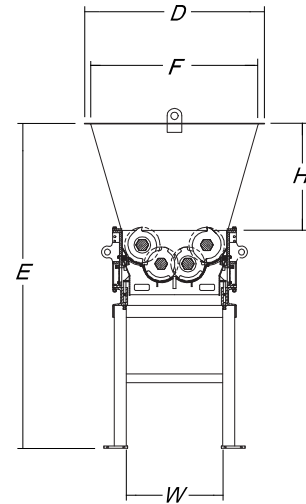
Isolates bearings from cutting chamber contamination and protects against bearing failure.

### DIRECT DRIVE MOTOR

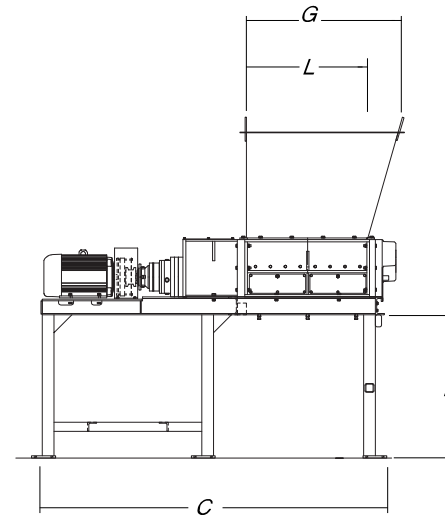
Provides improved efficiency and reliability. Alternate speed and torque combinations available.



**STANDARD CUTTING CHAMBER (W X L):** 90" X 75" (2,284 MM X 1,905 MM)  
 Optional lengths available: 87" (2,210 mm)



SHREDDER MODEL NO.	MODEL Q145ED(75)	MODEL Q145HD(75)
Drive	Electric	Hydraulic
Number of Electric Motors	Two	Two (HPU)
Horsepower	500 HP (373 kW)	500 HP (373 kW)
Voltage	460/3/60	460/3/60
Voltage Options	Many - Consult Factory	Many - Consult Factory
Autochop Feature	N/A	Yes
Shock Load Protection	Yes (SSP™)	Yes (Multiple Relief)
Cutter Thickness (nominal)	2" (50 mm)	2" (50 mm)
Cutter Diameter	27.1" (689 mm)	27.1" (690 mm)
Cutter Material	HW5	HW5
Shaft Diameter	9.0" (229 mm)	9.0" (229 mm)
Sizing Screen Assembly	2" (5 cm) to 6" (15 cm) sizes available	2" (5 cm) to 6" (15 cm) sizes available
Cutting Chamber (WxL)*	90" x 75" (2,284 mm x 1,905 mm)	90" x 75" (2,284 mm x 1,905 mm)
Machine Length (C)*	192" (5,169 mm)	225" (5,715 mm)
Machine Width (D)	99" (2,515 mm)	188" (4,781 mm)
Machine Height (E)	158" (4,013 mm)	271" (6,873 mm)
Machine Weight	82,000 lbs (37,188 kg)	105,000 lbs (47,619 kg)
Stand Height (I)	Up to 72" (1.8 m)	Up to 84" (2.1 m)
HPU Configuration	N/A	Closed Loop
HPU Dimensions	N/A	8.5' x 7.3' x 7.2' (2.6 m x 2.2 m x 2.2 m)
HPU Weight	N/A	9,500 lbs (4,280 kg)



SSI offers a full range of energy-efficient electric and hydraulic shredders as well as custom units to meet all processing requirements.

### STANDARD CUTTER PROFILES



Electrical controls including motor starters, PLC, and operator interface are supplied in NEMA 4 enclosures.

\* Secondary optional length available at 87" (2,210 mm).

Note: Illustrations, specifications and descriptions presented reflect standard product at time of publication and are subject to change without notice. Dimensions are approximate. Photographs may include optional equipment and accessories. SSI offers compactors, balers, granulators, conveyors and classifiers as well as specialized motors, stands, hoppers, and mobile configurations. Consult factory to discuss your processing needs.