



UNI-SHEAR® SR400 SHREDDER

The SR400 single rotor shredder/grinder reduces bulky material in a single pass while producing predictable, small, consistent particles.

The technology of the Uni-Shear® SR400 offers a viable alternative to other traditional size reduction solutions. The SR400 uses an adjustable speed, pressure-sensing ram and individually replaceable, reversible cutters to effectively grind material to small consistent particles in a single pass.

THE SR400 ADVANTAGE

- Delivers consistent, uniform particle size in a single pass
- Processes a variety of materials including plastics, fiber, paper, foam, wood waste and textiles
- Allows operators to 'dump and run' batches of material
- Reinforced in critical areas
- Accepts bulk or meter (conveyor) fed loading
- Meters shredded material to downstream equipment
- Is configured specifically for your application

TYPICAL SHREDDING APPLICATIONS

- Paper/Cardboard
- Plastics (hard and soft)
- Foam
- Product destruction
- Mattress scrap
- Wood waste
- Pharmaceuticals
- Rubber
- Organic waste
- Light gauge metals
- Fibers/Textiles
- and more...



SR400 DESIGN FEATURES

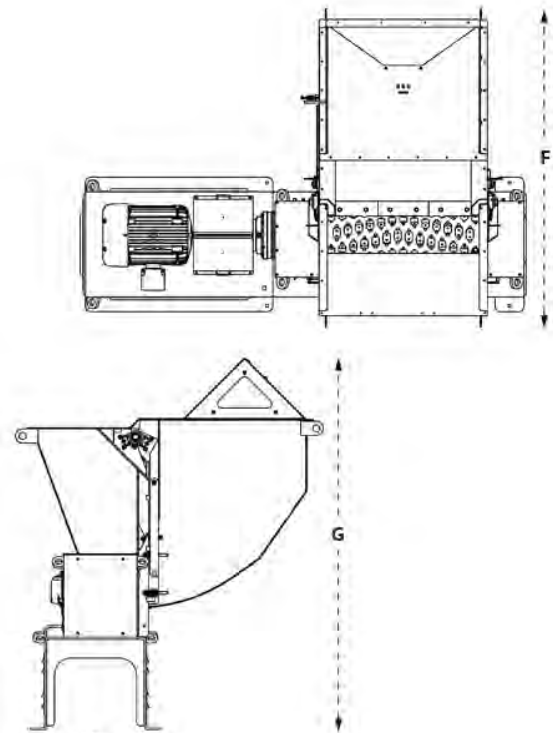
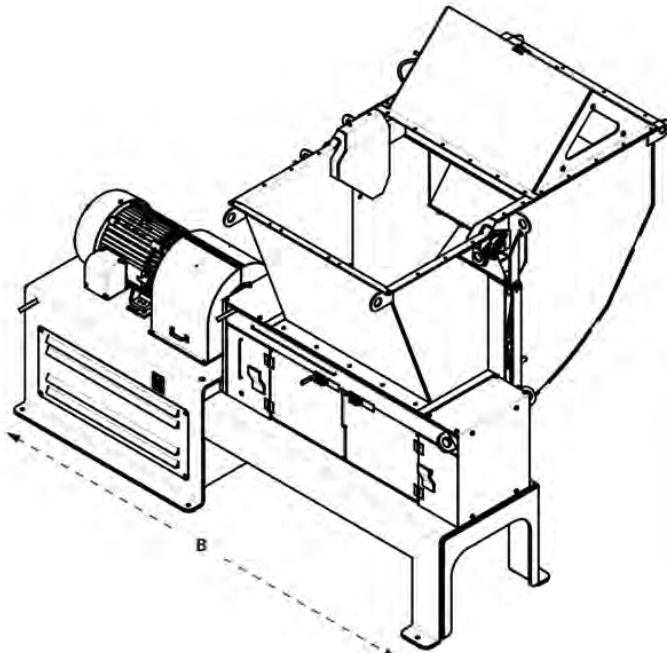
- Interchangeable screens screens from 1/2" to 6" allow easy cleaning and particle size adaptation
- Replaceable and reversible cutters extend uptime
- Exclusive electric direct drive design (no belts)
- 'Smart' ram to fit different applications and materials
- Operator-friendly, full function control panel
- Ram and rotor loading interface allows efficient and automatic shredder operation
- Robust construction and easy maintainance design
- 1 cubic yard hopper for large volume, bulk feeding



← Preshred

← Large Screen

← Fine Screen



SPECIFICATIONS: UNI-SHEAR® SR400E

HP Range	100HP (75kW)
Voltage	460/3/60 standard; other options available
Number of Cutters	54
Screen sizes	1/2" - 6" (12-150 mm)
Cutter Tip diameter	15.75" (400 mm)
Cutting chamber (WxL)	52" x 52" (1,320 mm x 1,320 mm)
Hopper Capacity	4 cu yd (3.65 cubic meters)
Machine length (B)	154" (3,900 mm)
Machine width (F)	105" (2,665 mm)
Machine height (G)	8'8" (2,656 mm)
Machine weight (less HPU)	12,500 lbs. (5,600 kg)
Hydraulic ram	10HP (8kW)

Consult factory for other models and to discuss your processing requirements.



Standard Cutter Holder



Optional Cutter Holder Cap

Note: Illustrations, specifications and descriptions presented reflect standard product at time of publication and are subject to change without notice. Dimensions are approximate. Photographs may include optional equipment and accessories. SSI offers compactors, balers, granulators, conveyors and classifiers as well as specialized motors, stands, hoppers, and mobile configurations. Consult factory to discuss your processing needs.